



# Relief Valve 3 Bar TECHNICAL DATASHEET

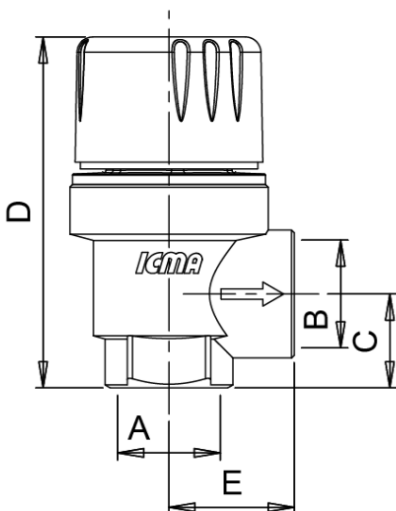


## Description

Safety valves are used in heating systems to control pressure in heat generators, in plumbing and in water systems.

When the valve reaches the calibrated pressure, it opens by releasing air into the atmosphere to ensure that the pressure in the system does not reach a limit which would be dangerous to the generator and to system components.

## Dimensions



A	B	C	D	E
22	22	17	64	23